



PROTECTION FOR  
INSTALLATION IN SAFE AREAS

# SAFETY AND ISOLATION SWITCHES

<b>iHATHOR SAFETY SWITCHES</b>	<b>4</b>
iHATHOR SWITCH DISCONNECTOR - BKP SERIES	6
iHATHOR SWITCH DISCONNECTOR - H0 SERIES	8
iHATHOR SWITCH DISCONNECTOR - H1 SERIES	10
iHATHOR SWITCH DISCONNECTOR - H2 SERIES	12
iHATHOR SWITCH DISCONNECTOR - H3 SERIES	14



Paso del Prao, 6. 01320 Oyón (Álava), Spain  
Phone +34 945 601 381  
comercial@ihathor.com | [www.ihathor.com](http://www.ihathor.com)



## WE PUT AT YOUR DISPOSAL

We offer over **50 years** providing solutions to demanding customers who require very specific characteristics and behaviour according to the sector and their needs.

## HIGH STANDARD OF QUALITY AND SERVICES

We only use materials provided by companies who offer the very **highest quality**, suitable and certified products. Our success is due to top quality assurance: ISO 9001, SGS, UL, TÜV, ISO 14000 and Ohsas 18001.



**100%**

Entirely designed  
and manufactured  
in Europe

## WHEREVER YOU GO

We are committed to working closely with our customers, providing them with **exceptional service** and offering an advanced and extensive range of products with very competitive prices.

## CUSTOMIZE TOTALLY YOUR SAFETY SWITCH

Our production systems can give custom-made solutions **on demand**. Every colour from RAL chart is available to be personalized. A variety of protection standards thanks to our own painting facilities.



## CONTACT US

Confidentiality, reliability & quality

www.ihathor.com  
comercial@ihathor.com  
+34 945 601 381

ALSO ONLINE

## Please contact our technical sales department

A team of professionals with high experience and ability to solve all your queries



# iHATHOR SAFETY SWITCHES



Examples



**Provide Safety  
to your Property  
and your Personnel**

iHATHOR is a full line of safety and isolation switches of indoor and outdoor applications (made in stainless steel AISI 304L). We design and manufacture every product ourselves in our own factories. Focused heavily on safety, iHATHOR's switching device product line brings state-of-the-art designs that can even be customized to fit your unique needs. iHATHOR switch disconnectors on-load, are available from 20A to 1800A, a large range for solving the different necessity of market. Achieving an optimal design for facility it's installation and operation. Key on hand.



**FOR MORE INFORMATION CLICK HERE**



# iHATHOR SAFETY SWITCHES

## APPLICATIONS

iHATHOR switch with the electrical with safe in solar and wind renewable energy, offshore, maritime, power distribution, food industry, manufacturing machinery and other general industries.

iHATHOR safety switches are reliable and provide safety to your property and your personnel in addition to providing:

- Protection against overcurrent.
- Protection against circuit overloads.
- Protection against short circuiting.
- Protection against heat-generated damage.

Safety switches are designed to interrupt the power in the event of a single fault in the circuit. Custom solutions projects for small and large series. iHATHOR is certified UL, Nema 4x.

## ADVANTAGES

- Ready for installation
- Compact design.
- Possibilities in custom housing design.
- Versatility.
- Fast delivery time.
- Custom designs available.
- Quantity discount.



## NORMATIVE

- IEC/EN 60947-3
- IP66 Norm IEC EN 62208 and EN 60529.
- Maximum IK10 resistance Norm IEC62208 and IEC 62262.
- UE Directive of low voltage 2014/35/UE.
- Materials intended to come into contact with food, CE 1935/2004.
- Offshore, maritime grade IP66.
- UL Standard(s) Safety: UL508A- Industrial Control Panels, CSA C22.2 No.14- Industrial Control Equipment.

## OPTIONS

- The most standard products are presented, options are available upon request.
- Option multiple of switch, n° of poles, current, aux. contacts,...
- Drills in base your needs.
- Option of different supports.
- Option of manufactured in different materials: stainless steel AISI 316L (enclosure maritime grade) or painted galvanized steel finish in RAL 7035 or another color.
- Design on IP67 or IP68 box.
- Possibility of Atex load switch.



# iHATHOR SWITCH DISCONNECTOR BKP SERIES



Example 20A - 25A - 40A



Example 63A - 80A



Example 100A - 125A

**Available in a Wide Range  
of Currents from 20A Up 125A**

iHATHOR switch disconnectors available in a wide range of currents from 20A up 125A. BKP Series has been designed according to standard IEC/EN60947-3 for its use in low voltage civil and industrial installations and are certificated to UL 508 for use as manual motor controllers.



**FOR MORE INFORMATION CLICK HERE**

## TECHNICAL INFORMATION

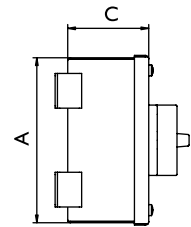
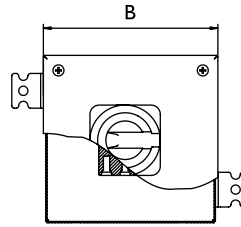
### iHATHOR SWITCH DISCONNECTORS - BKP SERIES

ACCORDING TO VDE 0660, IEC/EN 60947-3, IEC/EN 60947-5-1				20	25	40	63	80	125
Rated thermal current	I <sub>th</sub>	A	20	25	40	63	80	125	
Rated thermal current enclosed	I <sub>the</sub>	A	20	25	40	63	80	110	
Rated insulation voltage	U <sub>i</sub>	V	690	690	690	690	690	1000	
Rated impulse withstands voltage	U <sub>imp</sub>	kV	6	6	6	6	6	8	
Rated operational current AC	I <sub>e</sub>	AC21A	A	20	25	40	63	80	125
Making capacity	I <sub>eff</sub>	3x380-440V	A	160	190	300	370	440	850
Breaking capacity		3x220-240V	A	160	180	250	330	380	680
Breaking capacity		3x380-440V	A	160	180	250	330	380	680
Breaking capacity		3x660-690V	A	80	110	170	190	220	420
Direct switching motors	AC3	3x400V	A	12	16	30	37	37	72
Direct switching motors	AC3	3x220-240V	kW	3	4	7,5	11	11	22
Direct switching motors		3x380-440V	kW	5,5	7,5	15	18,5	18,5	37
Direct switching motors		3x660-690V	kW	5,5	7,5	15	18,5	18,5	30
Main & safety switch	AC23	3x400V	A	16	20	32	45	45	85
Main & safety switch	AC23A	3x220-240V	kW	4	5,5	9	15	15	30
Main & safety switch	AC23B	3x380-440V	kW	7,5	10	16	22	22	45
Main & safety switch		3x660-690V	kW	5,5	7,5	15	18,5	18,5	37
Rated conditional short-circuit current			kA <sub>eff</sub>	10	10	10	10	10	10
Max. fuse size	gL (gG)	A	25	35	50	63	80	125	
Rated short-time withstand current 1 s.	I <sub>cw</sub>	A	250	300	500	600	850	1500	
Mechanical life		x10 <sup>3</sup>	200	200	200	100	100	100	
CONNECTING CAPACITY									
Solid or stranded cable		mm <sup>2</sup>	0,5-10		1-25		4-50		
Solid or stranded cable		AWG	20-8		16-4		10-0 (10)		
Flexible cable		mm <sup>2</sup>	0,5-6		4-16		10-35		
Flexible cable		AWG	20-10		16-6		8-2		
Size of terminal screw			M3,5		M5		M6		
Tightening torque		Nm	0,8-1,7		2-4		3,5-4,5		

# iHATHOR SWITCH DISCONNECTOR BKP SERIES

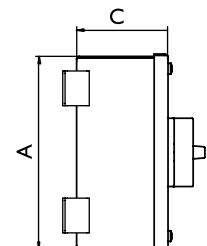
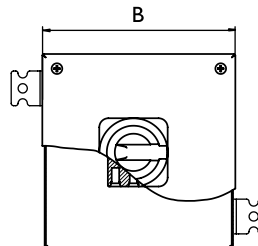
## PLANS AND REFERENCES

### BKP SERIES | 20A-25A-40A



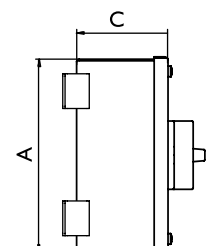
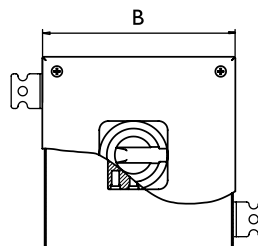
BKP SERIES (20A - 25A - 40A)		DIMENSIONS (mm)			
REFERENCES	HEIGHT (A)	WIDTH (B)	DEPTH (C)	CURRENT	N° POLES
BKP20A3P	160	160	90	20	3
BKP20A4P	160	160	90	20	4
BKP25A3P	160	160	90	25	3
BKP25A4P	160	160	90	25	4
BKP40A3P	160	160	90	40	3
BKP40A4P	160	160	90	40	4

### BKP SERIES | 63A-80A



BKP SERIES (63A - 80A)		DIMENSIONS (mm)			
REFERENCES	HEIGHT (A)	WIDTH (B)	DEPTH (C)	CURRENT	N° POLES
BKP63A3P	200	200	120	63	3
BKP63A4P	200	200	120	63	4
BKP80A3P	200	200	120	80	3
BKP80A4P	200	200	120	80	4

### BKP SERIES | 100A-125A



BKP SERIES (100A - 125A)		DIMENSIONS (mm)			
REFERENCES	HEIGHT (A)	WIDTH (B)	DEPTH (C)	CURRENT	N° POLES
BKP100A3P	200	200	120	100	3
BKP100A4P	200	200	120	100	4
BKP125A3P	200	200	120	125	3
BKP125A4P	200	200	120	125	4

# iHATHOR SWITCH DISCONNECTOR H0 SERIES



Example

**Rated Breaking Current  
of Up to 8 Times  
the Rated Operational Current**

Switch disconnectors on-load H0 Series, are available from 125A for 250A, versions under request on order. Rated breaking current of up to 8 times the rated operational current, with ability to establish and support short circuit currents up to 100kA. Uninterrupted duties in extreme tropic and polar conditions, as well as the polluted environment of any industrial process.



**FOR MORE INFORMATION CLICK HERE**

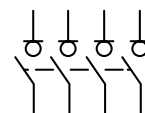
## TECHNICAL INFORMATION

iHATHOR SWITCH DISCONNECTORS - H0 SERIES								
ACCORDING TO IEC/EN 60947-3				125	160	200	250	
Rated thermal current in ambient at	I <sub>th</sub>	40°C	A	125	160	200	250	
Rated thermal current in ambient at	I <sub>th</sub>	50°C	A	125	160	200	250	
Rated thermal current in ambient at	I <sub>th</sub>	60°C	A	125	160	200	250	
Rated insulation voltage	U <sub>i</sub>		V	1000	1000	1000	1000	
Rated impulse withstands voltage	U <sub>imp</sub>		kV	8	8	8	8	
AC rated operational current <sup>*(1)</sup>	I <sub>e</sub>	U <sub>e</sub> 400V	AC21A	A	125	160	200	250
AC rated operational current <sup>*(1)</sup>	I <sub>e</sub>	U <sub>e</sub> 400V	AC22A	A	125	160	200	250 <sup>*(3)</sup>
AC rated operational current <sup>*(1)</sup>	I <sub>e</sub>	U <sub>e</sub> 400V	AC23A	A	125	160	160	160
Rated breaking capacity		400V	AC23	A	1000	1280	1280	1280
Rated making capacity		400V	AC23	A	1250	1600	1600	1600
SHORT - CIRCUIT BEHAVIOUR					125	160	200	250
Rated short-circuit making capacity <sup>*(2)</sup>	I <sub>cm</sub>		kA (beak)		13	13	13	13
Rated short-time withstand current 1s.	I <sub>cw</sub>		kA rms		7	7	7	7
MECHANICAL FEATURES					125	160	200	250
Number of mechanical operations (according to the standars, for other values please consult)			Cycles		8000	8000	8000	8000
Maximum weight 3P			Kg		0,85	0,85	0,9	0,9
Maximum weight 3P + N			Kg		1	1	1	1

\*<sup>(1)</sup> Other voltages and/or utilization categories. Please consult.

\*<sup>(2)</sup> Without limiting protective device (short-circuit maintained 50ms. - 100ms.)

\*<sup>(3)</sup> Intensidad de empleo AC22B.



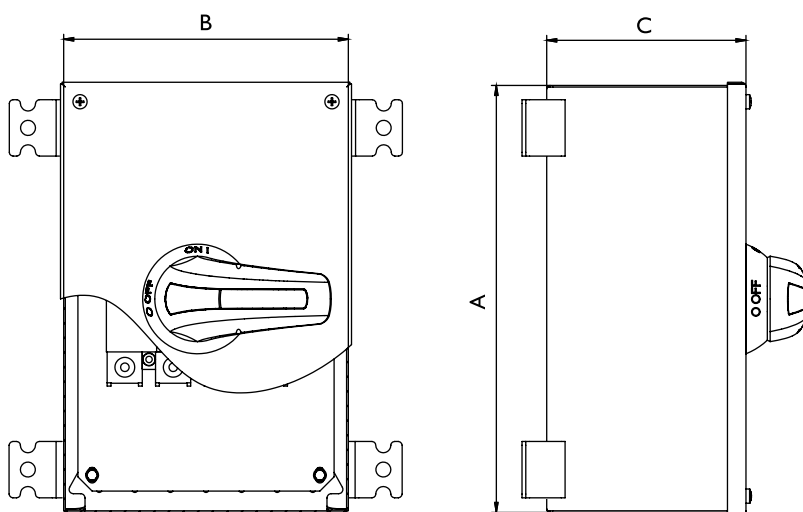
**4P**

Also available 4P switch - disconnectors under request



# iHATHOR SWITCH DISCONNECTOR H0 SERIES

## PLANS AND REFERENCES



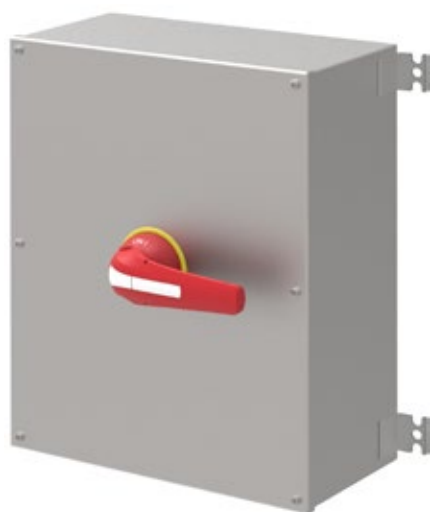
H0 SERIES	DIMENSIONS (mm)				
REFERENCES	HEIGHT (A)	WIDTH (B)	DEPTH (C)	CURRENT	N° POLES
H125A3PP	300	200	150	125A	3
H160A3PP	300	200	150	160A	3
H125A4PP	300	200	150	125A	4
H160A4PP	300	200	150	160A	4
H125A3PB	300	200	150	125A	3
H160A3PB	300	200	150	160A	3
H200A3PB	300	200	150	200A	3
H125A4PB	300	200	150	125A	4
H160A4PB	300	200	150	160A	4
H200A4PB	300	200	150	200A	4
H200A3PP	400	300	150	200A	3
H250A3PP	400	300	150	250A	3
H200A4PP	400	300	150	200A	4
H250A4PP	400	300	150	250A	4

PP: strip connection

PB: flange connection



# iHATHOR SWITCH DISCONNECTOR HI SERIES



Example

**Rated Breaking Current  
of Up to 8 Times  
the Rated Operational Current**

Switch disconnectors on-load HI Series, are available from 315A for 400A, versions under request on order. Rated breaking current of up to 8 times the rated operational current, with ability to establish and support short circuit currents up to 100kA. Uninterrupted duties in extreme tropic and polar conditions, as well as the polluted environment of any industrial process.



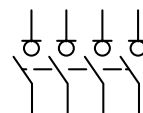
**FOR MORE INFORMATION CLICK HERE**

## TECHNICAL INFORMATION

iHATHOR SWITCH DISCONNECTORS - HI SERIES					
ACCORDING TO IEC/EN 60947-3				315	400
Rated thermal current in ambient at	I <sub>th</sub>	40°C	A	315	400
Rated thermal current in ambient at	I <sub>th</sub>	50°C	A	315	400
Rated thermal current in ambient at	I <sub>th</sub>	60°C	A	315	400
Rated insulation voltage	U <sub>i</sub>		V	1000	1000
Rated impulse withstands voltage	U <sub>imp</sub>		kV	8	8
AC rated operational current <sup>*(1)</sup>	I <sub>e</sub>	U <sub>e</sub> 400V	AC21A	A	315
AC rated operational current <sup>*(1)</sup>	I <sub>e</sub>	U <sub>e</sub> 400V	AC22A	A	315
AC rated operational current <sup>*(1)</sup>	I <sub>e</sub>	U <sub>e</sub> 400V	AC23A	A	315
Rated breaking capacity		400V	AC23	A	2520
Rated making capacity		400V	AC23	A	3150
SHORT - CIRCUIT BEHAVIOUR				315	400
Rated short-circuit making capacity <sup>*(2)</sup>	I <sub>cm</sub>		kA (beak)	20	20
Rated short-time withstand current I <sub>s</sub>	I <sub>cw</sub>		kA rms	12	12
MECHANICAL FEATURES				315	400
Number of mechanical operations (according to the standars, for other values please consult)			Cycles	8000	5000
Maximum weight 3P			Kg	1,7	1,9
Maximum weight 3P + N			Kg	1,9	2,1

\*<sup>(1)</sup> Other voltages and/or utilization categories. Please consult.

\*<sup>(2)</sup> Without limiting protective device (short-circuit maintained 50ms. - 100ms.)

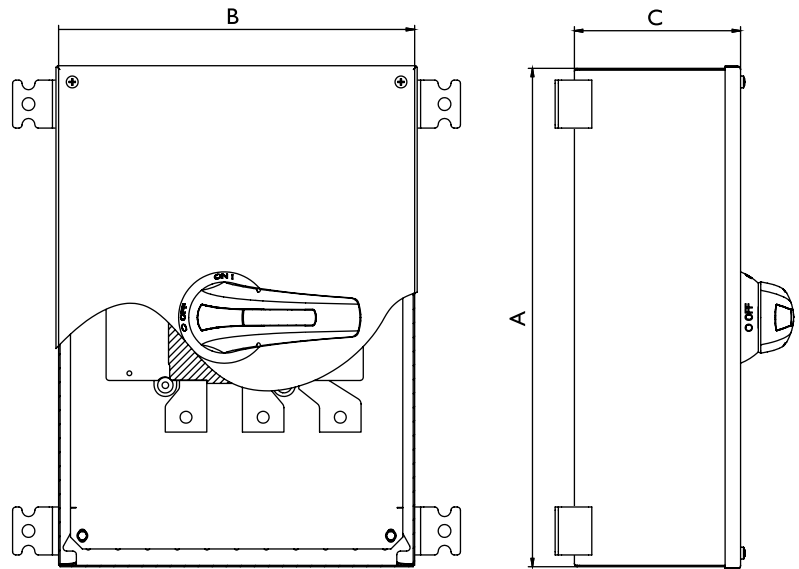


**4P**

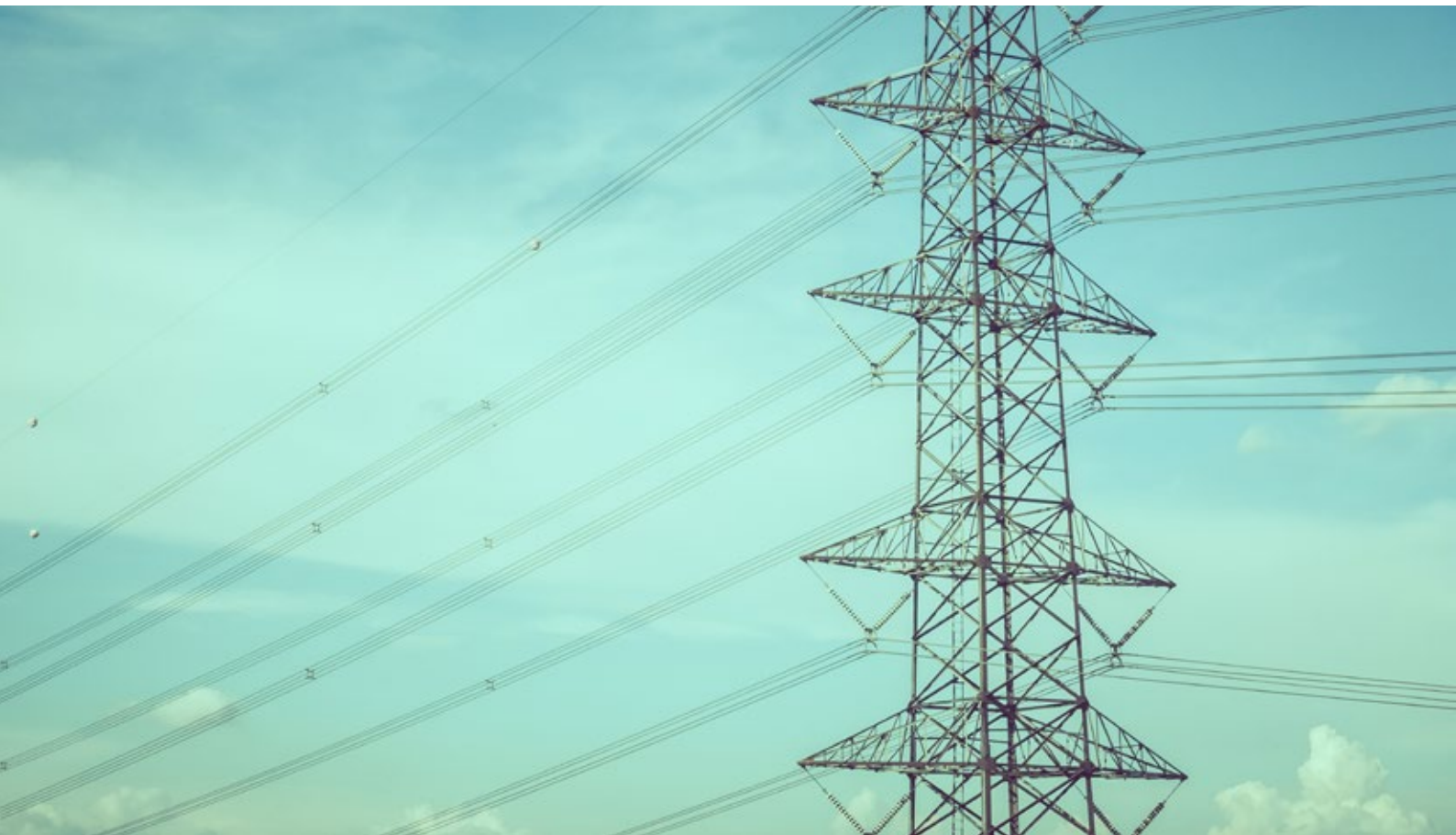
Also available 4P switch -  
disconnectors under request

# iHATHOR SWITCH DISCONNECTOR HI SERIES

## PLANS AND REFERENCES



HI SERIES	DIMENSIONS (mm)				
REFERENCES	HEIGHT (A)	WIDTH (B)	DEPTH (C)	CURRENT	N° POLES
H315A3PP	400	300	150	315A	3
H315A4PP	400	300	150	315A	4
H400A3PP	500	400	200	400A	3
H400A4PP	500	400	200	400A	4



# iHATHOR SWITCH DISCONNECTOR H2 SERIES



Example

**Rated Breaking Current  
of Up to 8 Times  
the Rated Operational Current**

Switch disconnectors on-load H2 Series, are available from 500A for 800A, versions under request on order. Rated breaking current of up to 8 times the rated operational current, with ability to establish and support short circuit currents up to 100kA. Uninterrupted duties in extreme tropic and polar conditions, as well as the polluted environment of any industrial process.



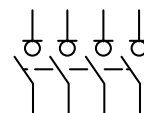
**FOR MORE INFORMATION CLICK HERE**

## TECHNICAL INFORMATION

iHATHOR SWITCH DISCONNECTORS - H2 SERIES				500	630	800	
ACCORDING TO IEC/EN 60947-3							
Rated thermal current in ambient at	lth	40°C	A	500	630	800	
Rated thermal current in ambient at	lth	50°C	A	500	630	720	
Rated thermal current in ambient at	lth	60°C	A	500	630	640	
Rated insulation voltage	Ui		V	1000	1000	1000	
Rated impulse withstands voltage	Uimp		kV	12	12	12	
AC rated operational current <sup>*(1)</sup>	Ie	Ue 400V	AC21A	A	500	630	800
AC rated operational current <sup>*(1)</sup>	Ie	Ue 400V	AC22A	A	500	630	800
AC rated operational current <sup>*(1)</sup>	Ie	Ue 400V	AC23A	A	500	630	800
Rated breaking capacity		400V	AC23	A	4000	5000	6400
Rated making capacity		400V	AC23	A	5000	6300	8000
SHORT - CIRCUIT BEHAVIOUR							
Rated short-circuit making capacity <sup>*(2)</sup>	Icm		kA (beak)	26	26	26	
Rated short-time withstand current I <sub>s</sub>	Icw		kA rms	16	16	16	
MECHANICAL FEATURES							
Number of mechanical operations (according to the standars, for other values please consult)			Cycles	5000	5000	3000	
Maximum weight 3P			Kg	4,2	4,2	4,2	
Maximum weight 3P + N			Kg	4,5	4,5	4,5	

\*<sup>(1)</sup> Other voltages and/or utilization categories. Please consult.

\*<sup>(2)</sup> Without limiting protective device (short-circuit maintained 50ms. - 100ms.)

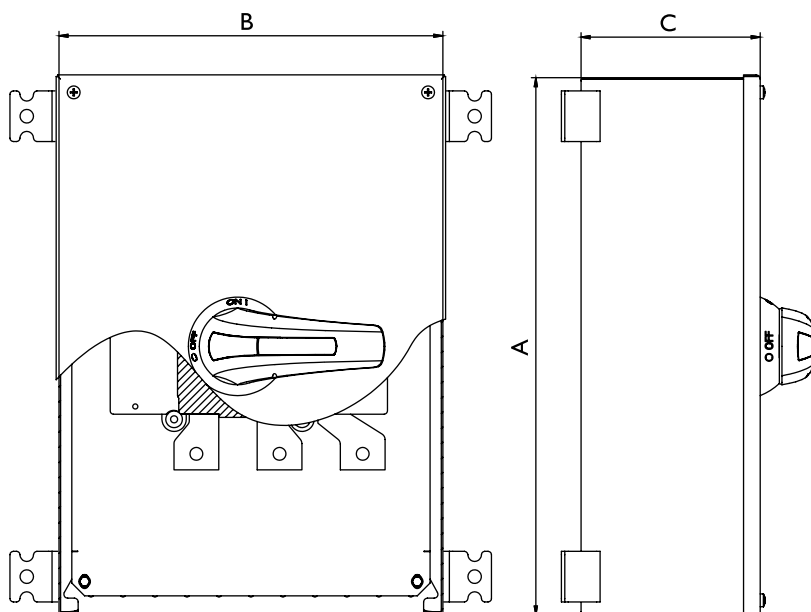


**4P**

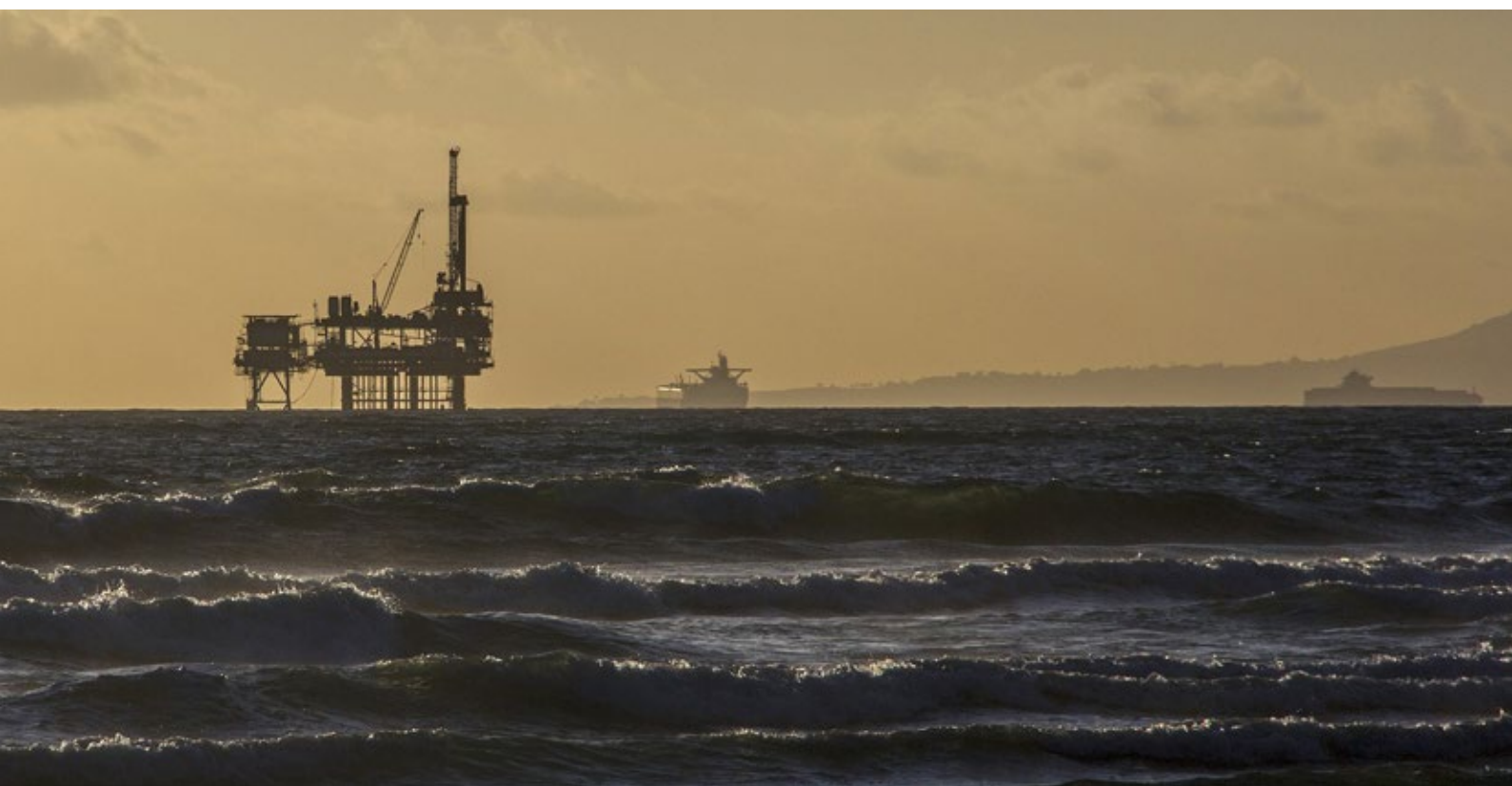
Also available 4P switch - disconnectors under request

# iHATHOR SWITCH DISCONNECTOR H2 SERIES

## PLANS AND REFERENCES

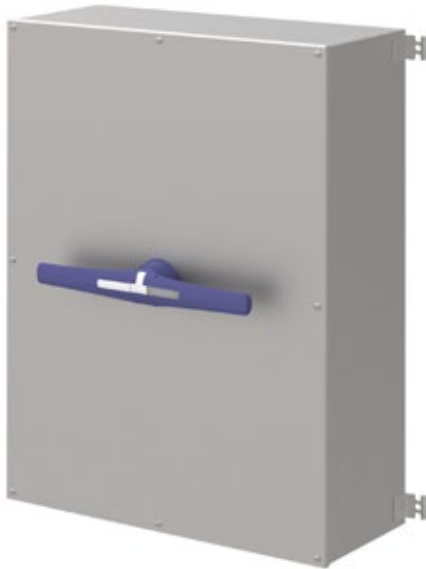


H2 SERIES	DIMENSIONS (mm)				
REFERENCES	HEIGHT (A)	WIDTH (B)	DEPTH (C)	CURRENT	N° POLES
H500A3PP	500	400	200	500A	3
H500A4PP	500	400	200	500A	4
H630A3PP	500	400	200	630A	3
H630A4PP	500	400	200	630A	4
H800A3PP	500	400	200	800A	3
H800A4PP	500	400	200	800A	4





# iHATHOR SWITCH DISCONNECTOR H3 SERIES



Example

**Rated Breaking Current  
of Up to 8 Times  
the Rated Operational Current**

Switch disconnectors on-load H3 Series, are available from 1000A for 1800A, versions under request on order. Rated breaking current of up to 8 times the rated operational current, with ability to establish and support short circuit currents up to 100kA. Uninterrupted duties in extreme tropic and polar conditions, as well as the polluted environment of any industrial process.



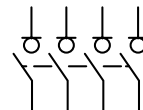
**FOR MORE INFORMATION CLICK HERE**

## TECHNICAL INFORMATION

iHATHOR SWITCH DISCONNECTORS - H3 SERIES				1000	1250	1600	1800
ACCORDING TO IEC/EN 60947-3							
Rated thermal current in ambient at	I <sub>th</sub>	40°C	A	1000	1250	1600	1800
Rated thermal current in ambient at	I <sub>th</sub>	50°C	A	1000	1250	1600	1800
Rated thermal current in ambient at	I <sub>th</sub>	60°C	A	1000	1250	1600	1600
Rated insulation voltage	U <sub>i</sub>		V	1000	1000	1000	1000
Rated impulse withstands voltage	U <sub>imp</sub>		kV	12	12	12	12
AC rated operational current <sup>*(1)</sup>	I <sub>e</sub>	U <sub>e</sub> 400V	AC21A	A	1000	1250	1600
AC rated operational current <sup>*(1)</sup>	I <sub>e</sub>	U <sub>e</sub> 400V	AC22A	A	1000	1250	1600
AC rated operational current <sup>*(1)</sup>	I <sub>e</sub>	U <sub>e</sub> 400V	AC23A	A	-	-	1600
AC rated operational current <sup>*(1)</sup>	I <sub>e</sub>	U <sub>e</sub> 800V	AC21B	A	-	-	1250
Rated breaking capacity		400V	AC23	A	3000	3750	4800
Rated making capacity		400V	AC23	A	3000	3750	4800
SHORT - CIRCUIT BEHAVIOUR					1000	1250	1600
Rated short-circuit making capacity <sup>*(2)</sup>	I <sub>cm</sub>		kA (peak)		60	60	75
Rated short-time withstand current 1 s.	I <sub>cw</sub>		kA rms		25	25	50
MECHANICAL FEATURES					1000	1250	1600
Number of mechanical operations (according to the standards, for other values please consult)			Cycles		3000	3000	3000
Maximum weight 3P			Kg		18,5	18,5	18,5
Maximum weight 3P + N			Kg		20,8	20,8	20,8

\*<sup>(1)</sup> Other voltages and/or utilization categories. Please consult.

\*<sup>(2)</sup> Without limiting protective device (short-circuit maintained 50ms. - 100ms.)



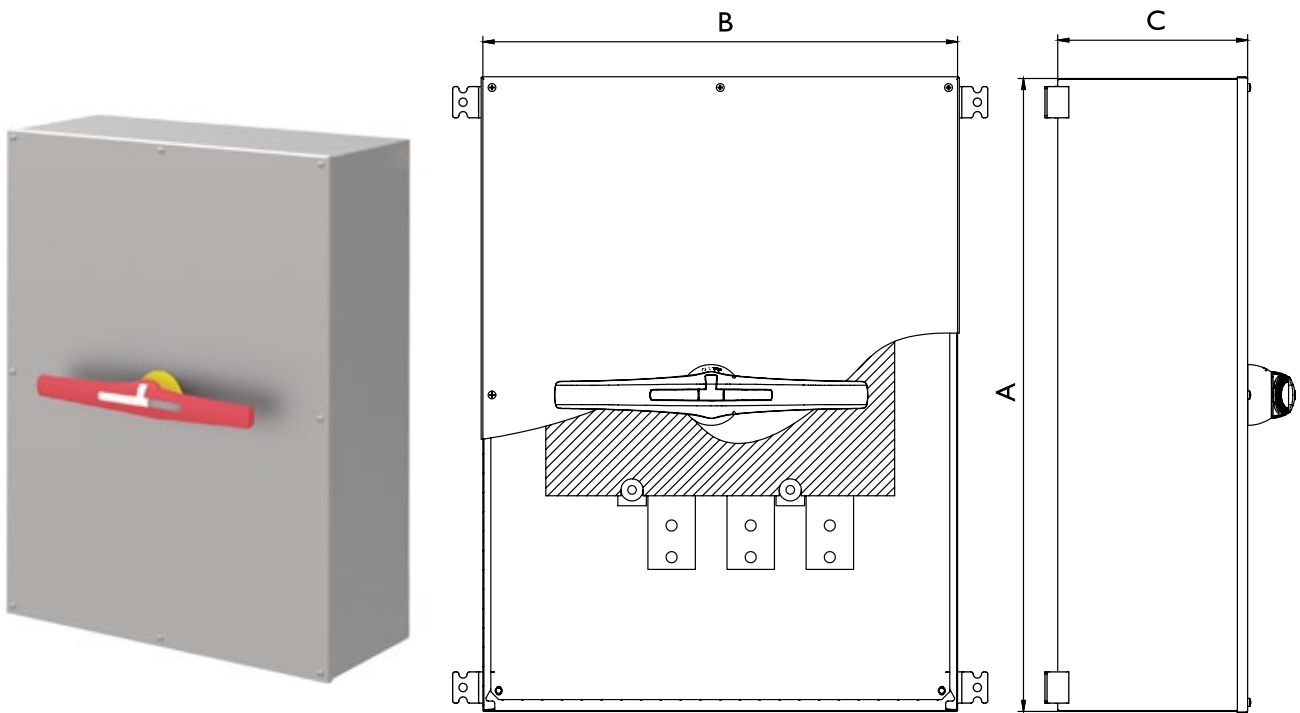
4P

Also available 4P switch - disconnectors under request



# iHATHOR SWITCH DISCONNECTOR H3 SERIES

## PLANS AND REFERENCES



H3 SERIES	DIMENSIONS (mm)				
REFERENCES	HEIGHT (A)	WIDTH (B)	DEPTH (C)	CURRENT	N° POLES
HI1000A3PP	600	500	200	1000A	3
HI1000A4PP	600	500	200	1000A	4
HI1250A3PP	600	500	200	1250A	3
HI1250A4PP	600	500	200	1250A	4
HI1600A3PP	800	600	250	1600A	3
HI1600A4PP	800	600	250	1600A	4
HI1800A3PP	800	600	250	1800A	3
HI1800A4PP	800	600	250	1800A	4



## CUSTOMIZED SWITCHES SOLUTIONS iHATHOR

*The customized manufacture of all safety and isolation switches iHATHOR is carry out with the most advanced technical methods and with the precision and consciousness of a craftsman. Therefore, it is not an accident that our company has been present in the market for many years: it is the result of hard work and effort by many people.*

*In iHATHOR we bear in mind that customers perceive the quality very clearly safety and useful solutions are what customers value most. Nowadays we have license to use the most exigents certifications. Our flexible manufacturing environment greatly reduces the costs associated with changeovers and small production lots.*



ATEX SAFETY SWITCHES



UL 98 AND UL 508  
SAFETY SWITCHES



SLOPED ROOF HYGIENIC  
SWITCHES



IECEX SAFETY SWITCHES

## CORROSION RESISTANT SWITCHES



## EMC SWITCHES DISCONNECTORS

## WEATHERPROOF AND DUST-TIGHT SWITCHES

Buy direct from manufacturer of custom made IP66 heavy duty industrial and waterproof switches AISI 304L and 316L made by standard IEC 60529. iHATHOR has tested all sizes and dimensions of waterproof enclosures according to EN 60529:2018. All weather resistant enclosures are more than simply rainproof, they meet a minimum of Nema 4X and IP66 requirements to ensure your electronics are protected. From safety switches to disconnectors, iHATHOR weatherproof enclosures offer a wide range of sizes and styles to keep your project waterproof.



## CABLE GLANDS FOR ATEX AREAS

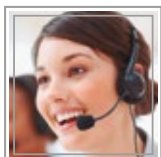


## CABLE GLANDS FOR SAFE AREAS





## **HEAVY DUTY SAFETY SWITCHES**



Paso del Prao, 6. 01320 Oyón (Álava). Spain  
Phone +34 945 601 381  
comercial@ihathor.com | [www.ihathor.com](http://www.ihathor.com)

**Contact us, we will be available at any time**